




Part number

# CQF 04/2



## Brief description:

female insert, 4 poles + PE, crimp connections, 40A 690V, (2 poles (10A max - 250V/4kV/3)), 6kV, 3, for female contacts 40A and 10A, size "32.13", CLASS insert series

Product description		Approvals / Standards	
<b>Model</b>	female insert	<b>Reference standard</b>	EN 61984 (2001-11)
<b>Version</b>	crimp connections	<b>Quality mark</b>	  EAC
<b>Series</b>	CQ	<b>Conformity</b>	CQC, CE
<b>Product type</b>	for female contacts 40A and 10A	<b>General ordering information</b>	
<b>Family</b>	CLASS inserts	<b>EAN13 code</b>	8015747128964
<b>Size</b>	size "32.13"	<b>Tariff number</b>	85369095
<b>N. of poles</b>	4 poles + 	<b>Country of origin</b>	Made in EU (IT)
<b>Auxiliary poles</b>	2 poles (10A max - 250V/4kV/3)	<b>ETIM classification</b>	EC000438
Technical data		Packaging Information	
<b>Current</b>	40 A (A.C. and D.C.)	<b>Packaging length</b>	245,00 mm
<b>Voltage</b>	400 - 690 V	<b>Packaging height</b>	165,00 mm
<b>Rated impulse withstand voltage</b>	6kV	<b>Packaging width</b>	215,00 mm
<b>Pollution degree</b>	3	<b>Packaging weight</b>	0,90 kg
<b>Operating temperature range (min, max)</b>	-40°C ... +125°C	<b>Packaging volume</b>	8,69 dm <sup>3</sup>
<b>Mating cycles</b>	≥ 500	<b>Packaging description</b>	Carton box
<b>IP degree of protection</b>	IP20 without enclosure, IP66/IP67 with enclosure	<b>Packaging quantity</b>	50 Pcs
Further technical details		<b>Packaging EAN code</b>	8015747215374
<b>Characteristics according to EN 61984</b>	40A 400/690V 6kV 3 (aux: 10A 250V 4kV 3)	<b>Sub-packaging weight</b>	0,18 kg
<b>Insulation resistance</b>	≥ 10 GΩ	<b>Sub-packaging description</b>	Plastic bag
<b>Rated voltage according to UL/CSA</b>	600V	<b>Sub-packaging quantity</b>	10 Pcs
<b>UL 94 flammability rating</b>	V-0	<b>Sub-packaging EAN barcode</b>	8015747215381
<b>Weight</b>	14,00 g		

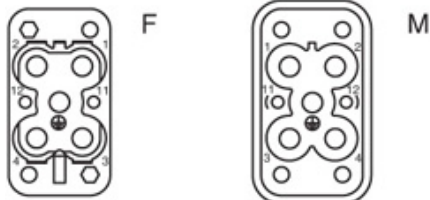
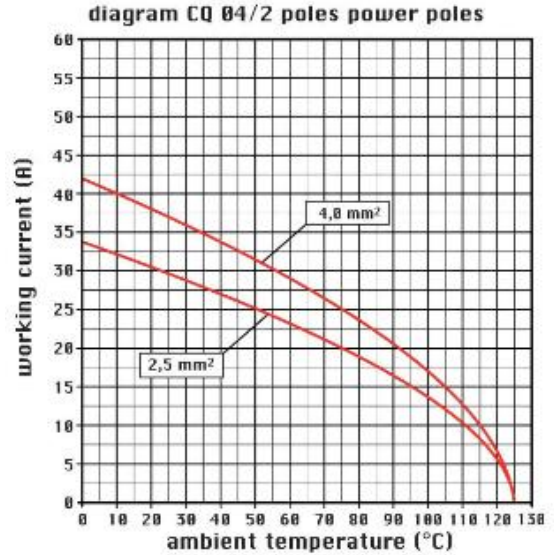
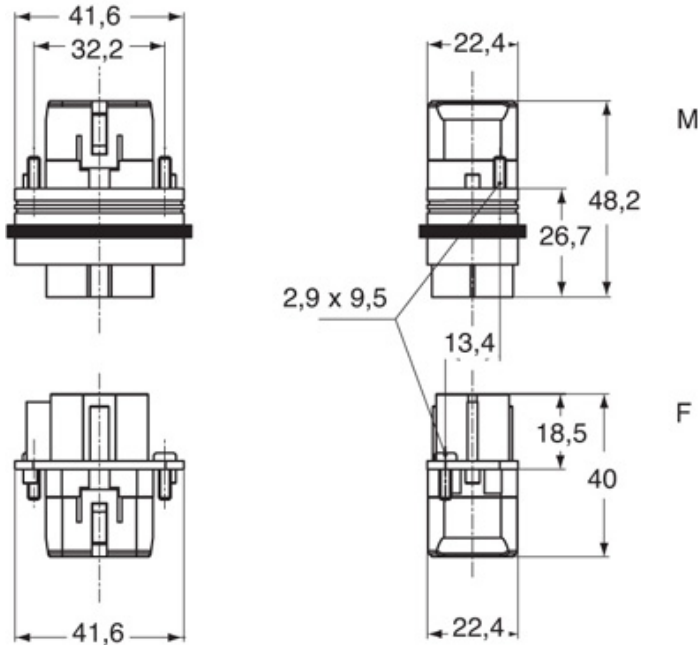
Part number

# CQF 04/2



Catalogue drawings

Catalogue drawings



## Notes

CQ 04/2 inserts:

- enclosures: size 32.13:
- CQ insulating type
- CQS EMC
- rated voltage according to UL/CSA: 600V- insulation resistance: >10 GOhm
- ambient temperature limit: -40°C ... +125°C
- are made of self-extinguishing thermoplastic resin UL 94 V0
- mechanical life: <500 cycles
- contact resistance: < 0.3 mOhm (4 poles)
- < 3 mOhm (2 poles)